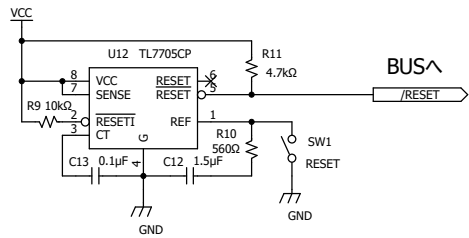
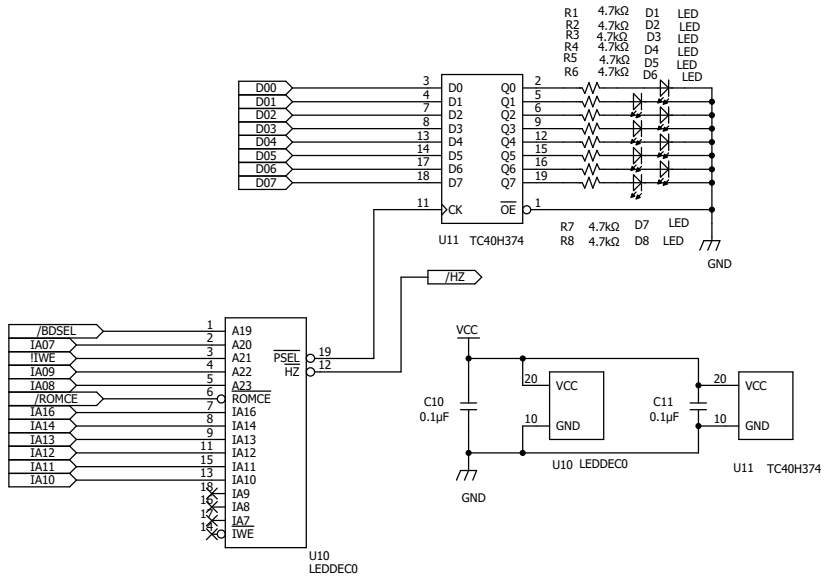


ALTMEM  
 \*Memory Map  
 0x0000-0x07FFF ROM Low side select  
 0x08000-0x17FFF RAM select  
 0x18000-0x1FFFF (not used)  
 0x20000-0x27FFF ROM high-side select  
 0x28000-0xFFFF (not used)

MEMALTEDEC: PAL14L4 or GAL16V8-25(or faster)

System-18-1 OLD-CPU Revive Project  
 Name | Alternate Memory-Board  
 Rev1.4 2022-05-09 | By Efiailtes\_htn



System-18-1 OLD-CPU Revive Project

Name | Alternate Memory-Board

Rev1.4 2021-01-11

By Efiatles\_htn